



PROFESSIONAL ELECTRET CARDIOID MICROPHONE

MICROPHONE PROFESSIONNEL ELECTRET CARDIOIDE

PROFESSIONELLES ELEKTRET MIKROFON MIT NIERENCHARAKTERISTIK

PROFESSIONELE CARDIOIDE ELECTRET MICROFOON

STM300 (Code: 10-4526)



STM300-PLUS (Code: 10-4526)



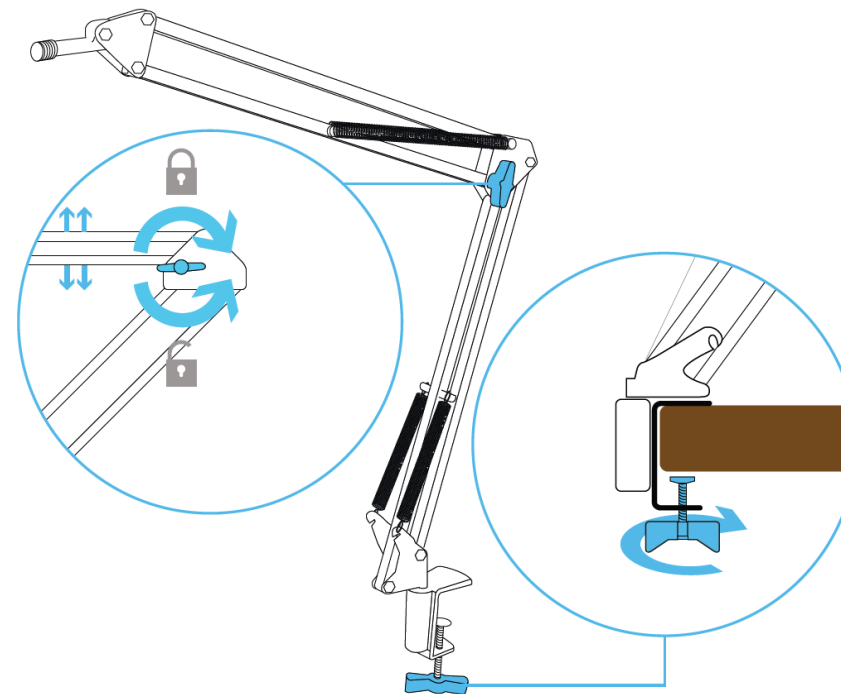
Assembled in PRC for  
**LOTRONIC S.A.**  
Avenue Z. Gramme 9  
B-1480 Saintes

Contact us on facebook for all technical questions:



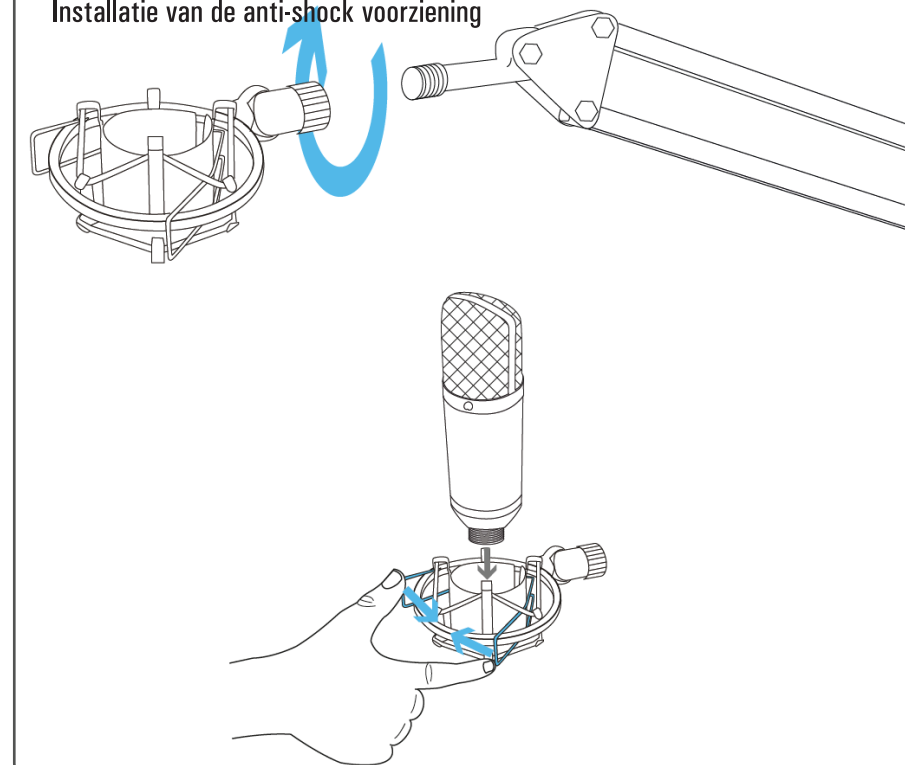
## 1. Table Arm Mount

Montage du support de table  
Befestigung des Tischhalters  
Installatie van de tafelhouder



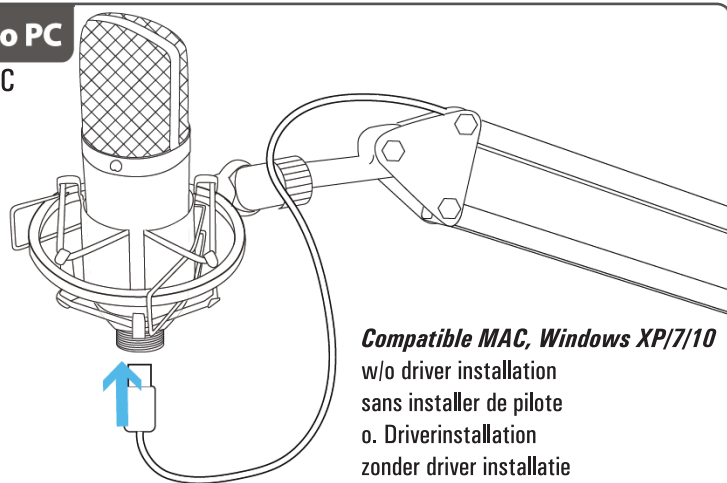
## 2. Shock Mount

Montage du dispositif anti-chocs  
Befestigung der Anti-Schockvorrichtung  
Installatie van de anti-shock voorziening

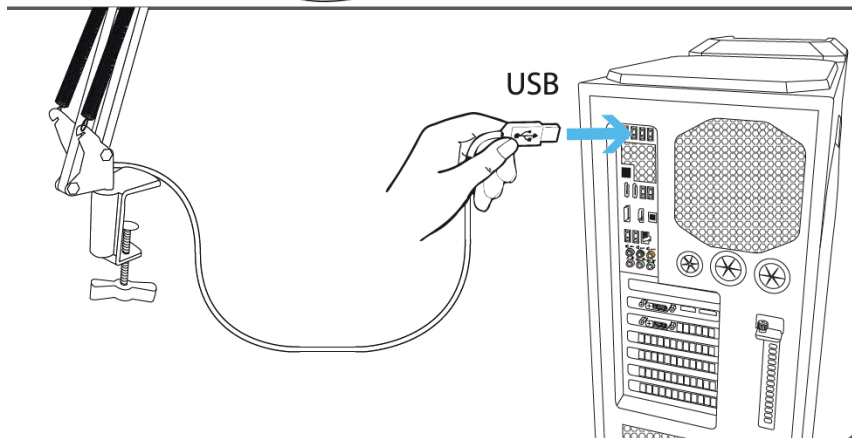


### 3. Connect to PC

Connexion au PC  
PC Anschluß  
PC aansluiting



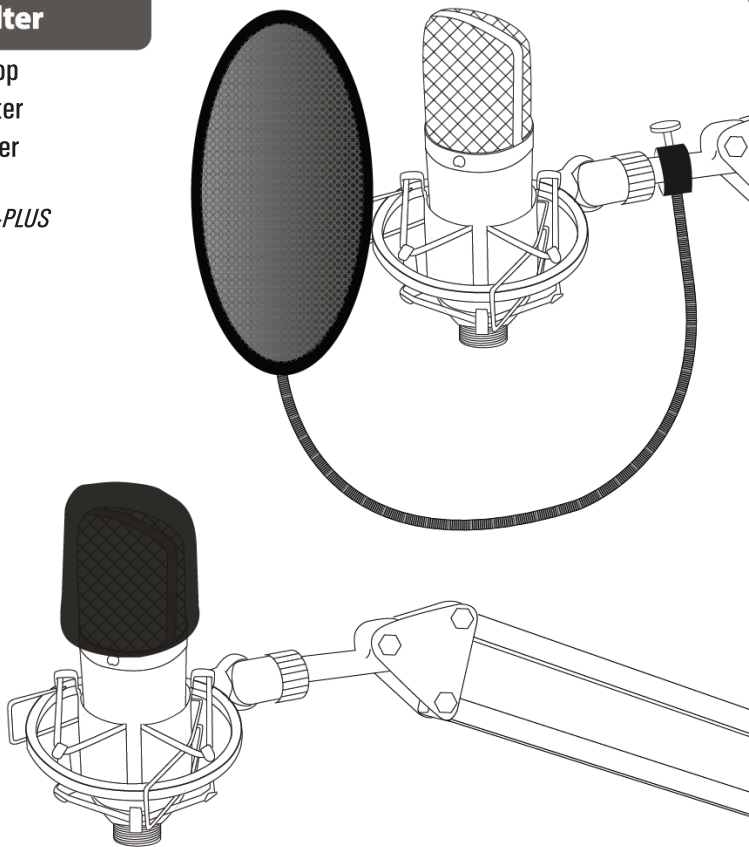
**Compatible MAC, Windows XP/7/10**  
w/o driver installation  
sans installer de pilote  
o. Driverinstallation  
zonder driver installatie



### 4. POP Filter

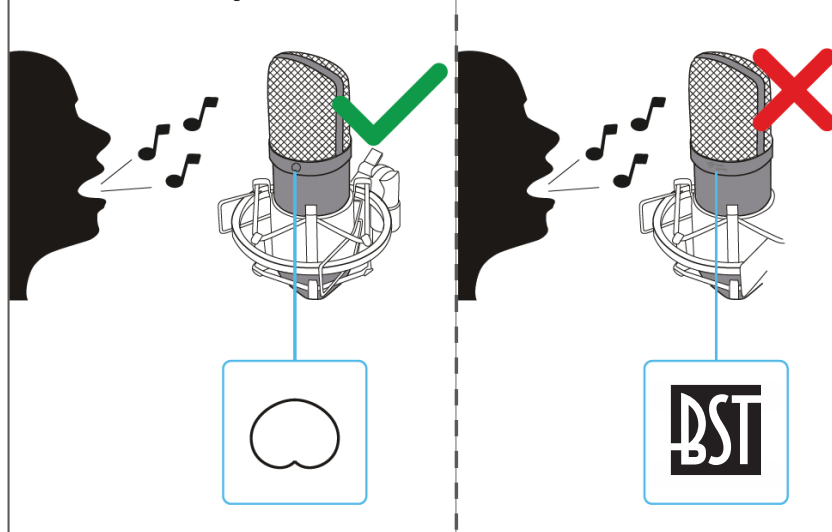
Filtre anti-pop  
Anti-Pop Filter  
Anti-pop filter

*Only STM300-PLUS*



### 5. Microphone Direction

Orientation du micro  
Mikrofonausrichtung  
Microfoon uitrichting



### 6. Specifications

Caractéristiques techniques  
Technische Daten  
Technische kenmerken

Pattern ..... Cardioid  
Frequency range..... 18Hz – 21kHz  
Sensitivity .....-35dB  
Compatibility ..... Mac, Windows, PS4  
Weight .....307g (mic), 1.5kg (set)

Directivité ..... Cardioïde  
Bande passante ..... 18Hz – 21kHz  
Sensibilité .....-35dB  
Compatibilité ..... Mac, Windows, PS4  
Poids .....307g (micro) 1.5kg (kit)

Richtcharakteristik ..... Niere  
Frequenzbereich ..... 18Hz - 21kHz  
Empfindlichkeit .....-35dB  
Kompatibilität ..... Mac, Windows, PS4  
Gewicht ..... 307 g (Mikrofon), 1,5kg (Set)

Frequentiebereik ..... 18Hz - 21kHz  
Gevoeligheid ..... -35 dB  
Compatibiliteit ..... Mac, Windows, PS4  
Gewicht.....307 g (mic), 1,5kg (set)

